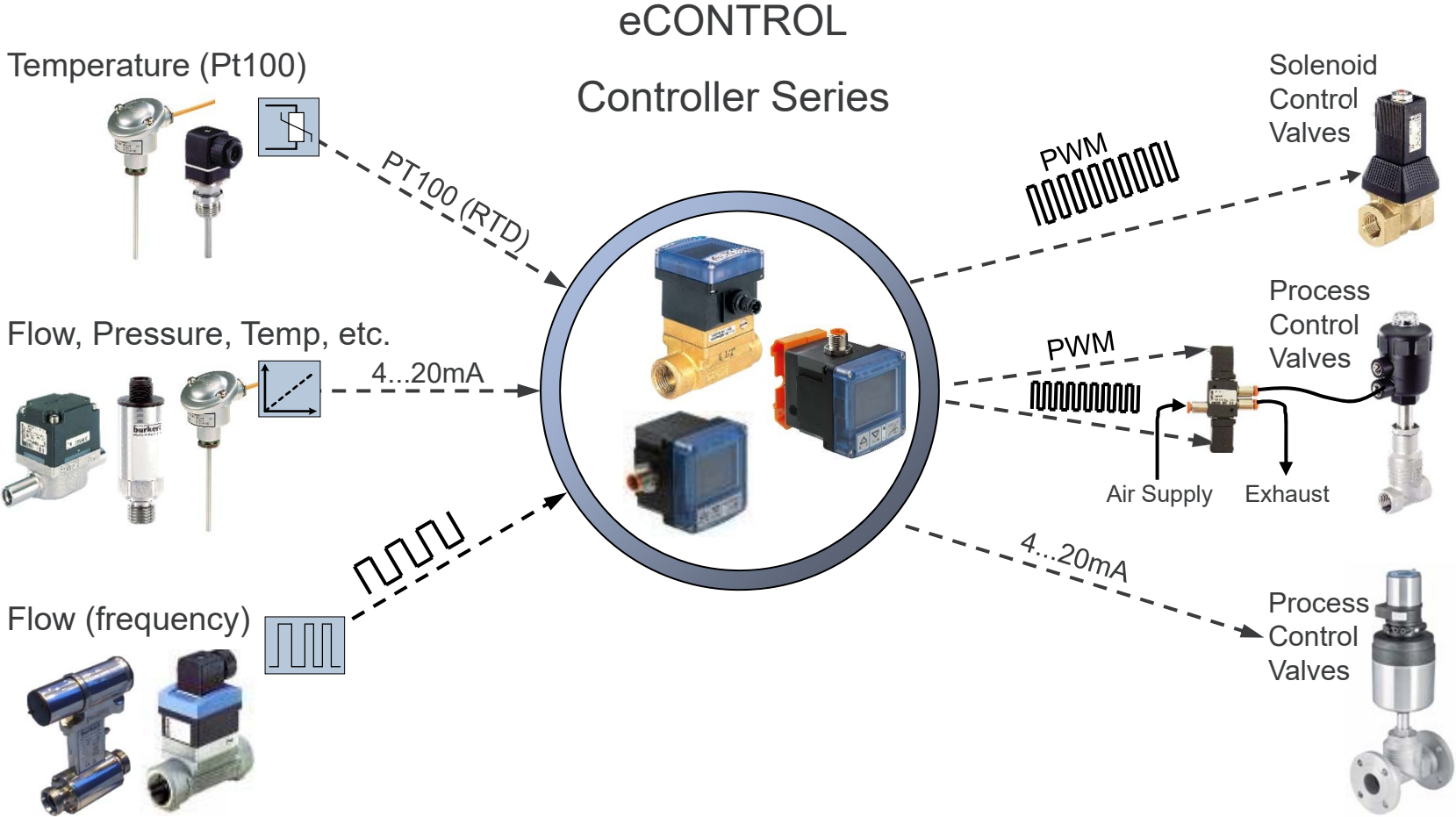


# 8611 eCONTROL

Universal Process Controller

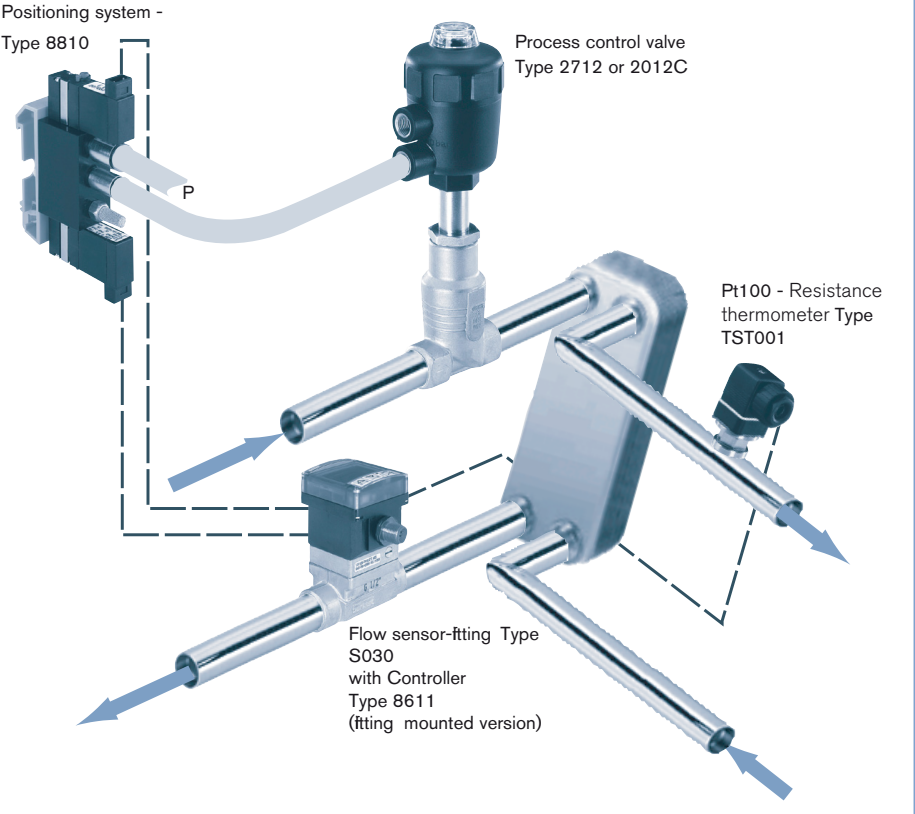


# Heat Exchanger

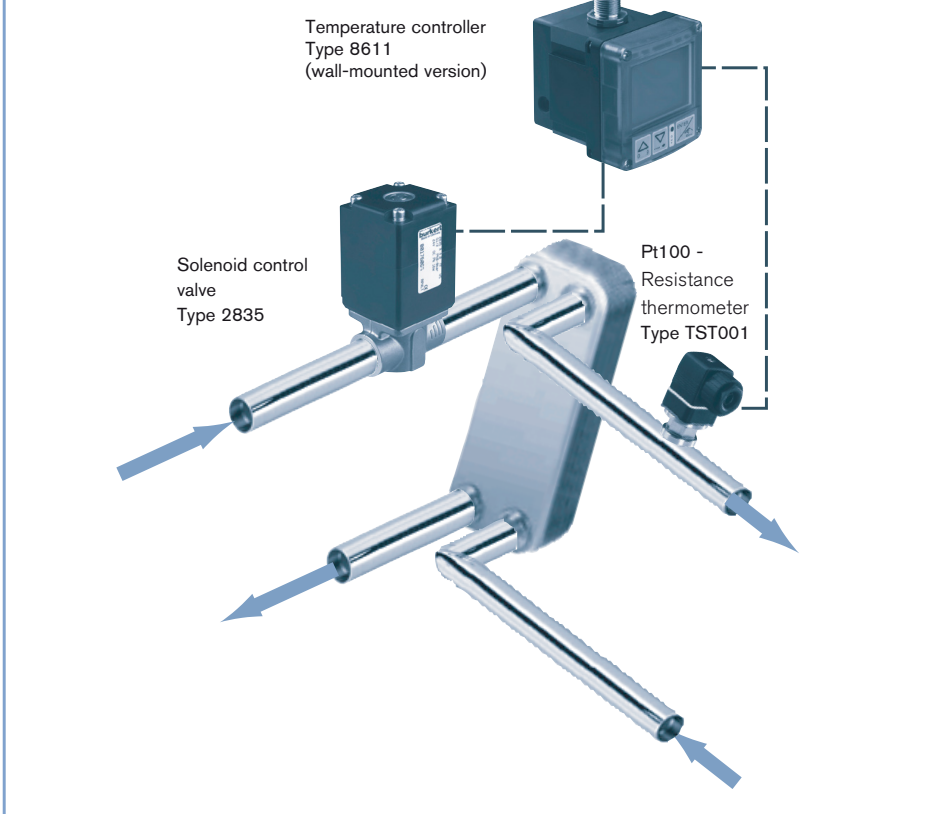
## Temperature Control with PCV and SCV



### Cascaded temperature control with process control valve

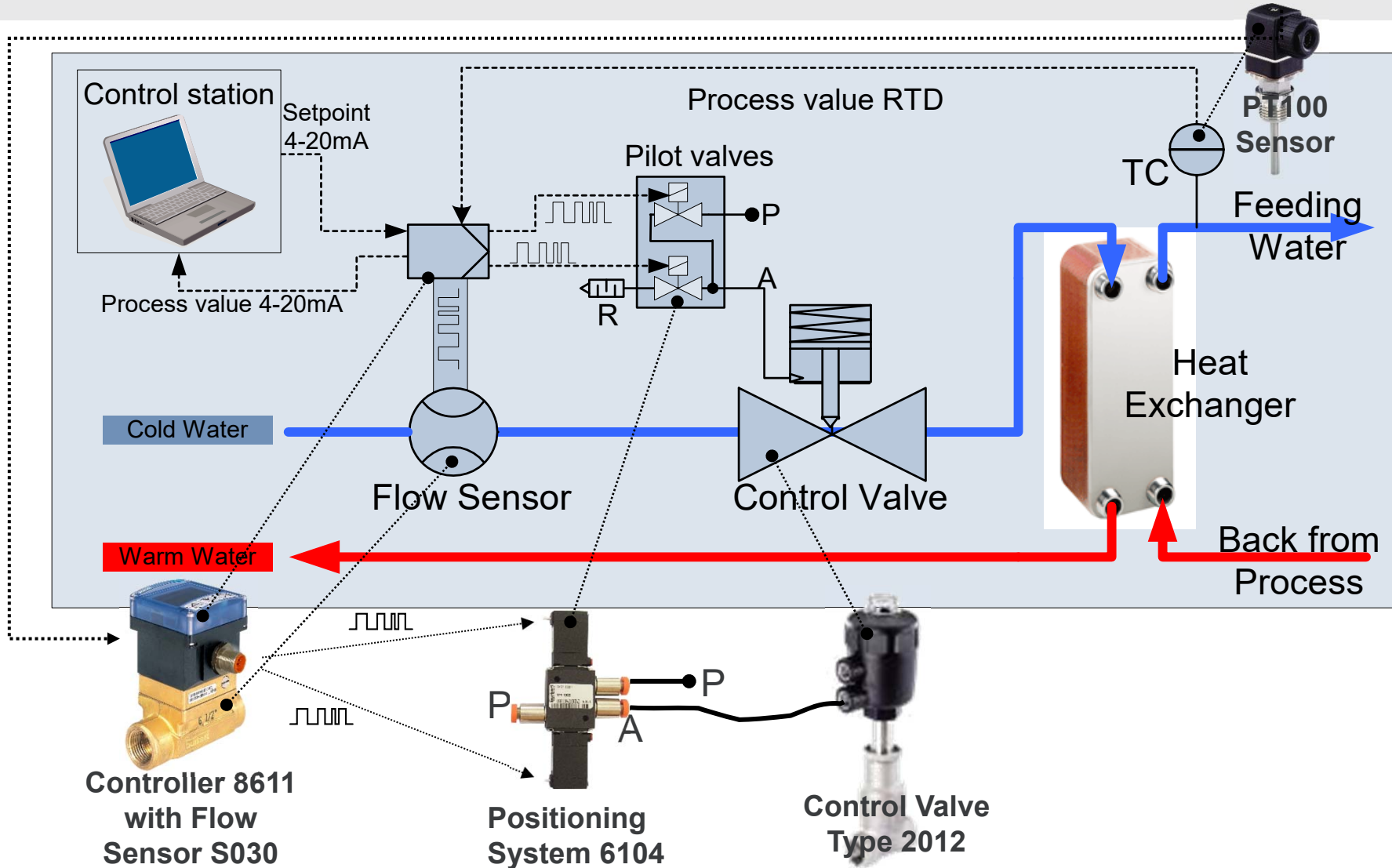


### Temperature control with solenoid control valve



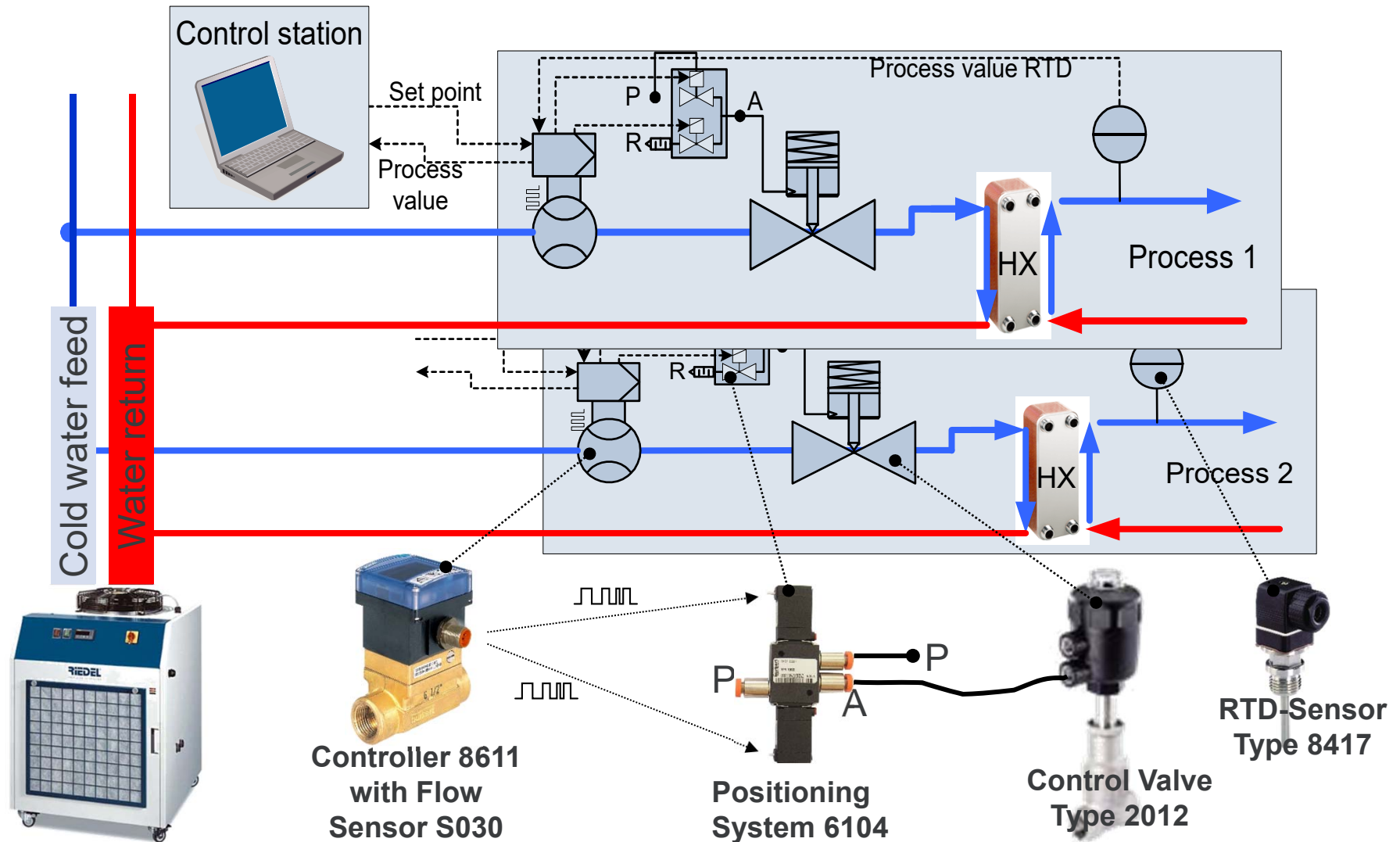
# Heat Exchanger

## Cascaded Temperature Control with Flow Input



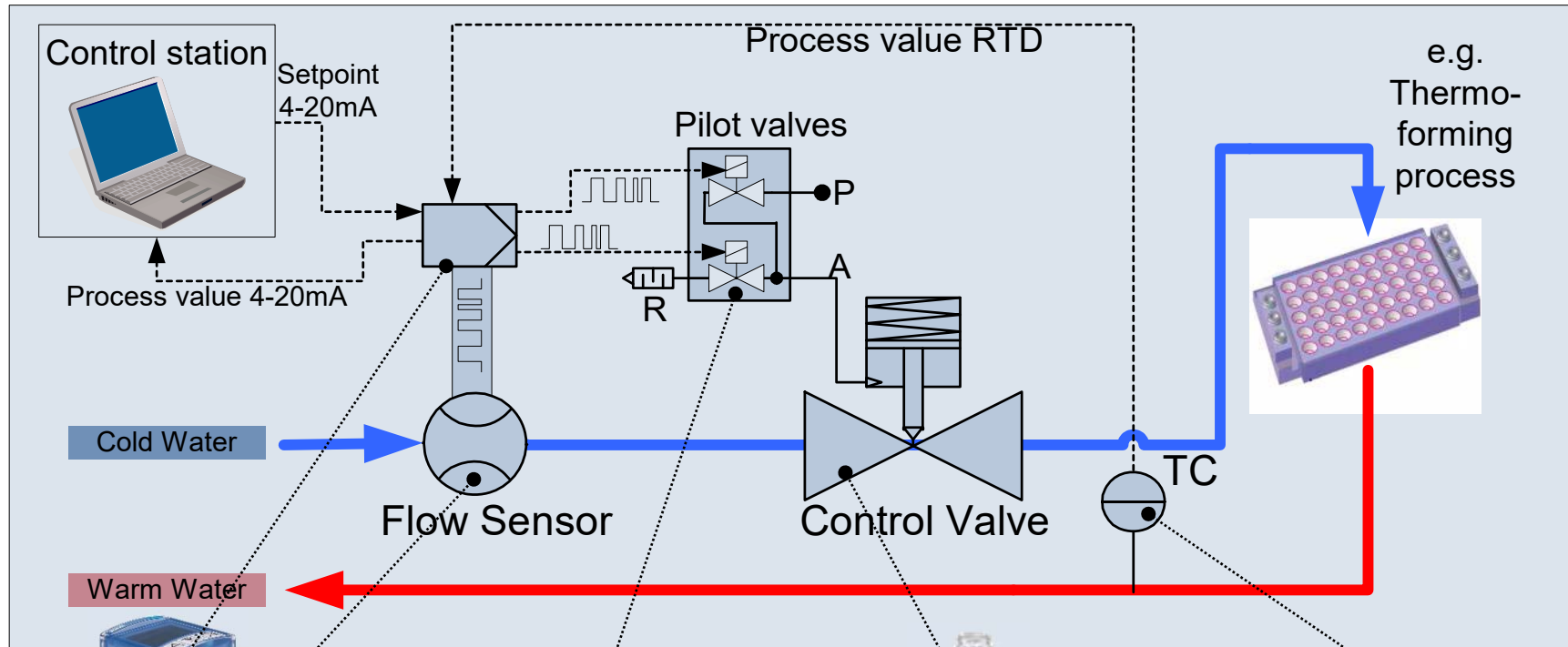
# Multi-Channel Cooling Loops

## Cascaded Temperature Control with Flow Input



# Cooling of Dies – for Molding, Thermoforming, Extrusion

## Cascaded Temperature Control with Flow Input



**eCONTROL 8611**  
(ID 177458)  
with S030  
Flow Sensor

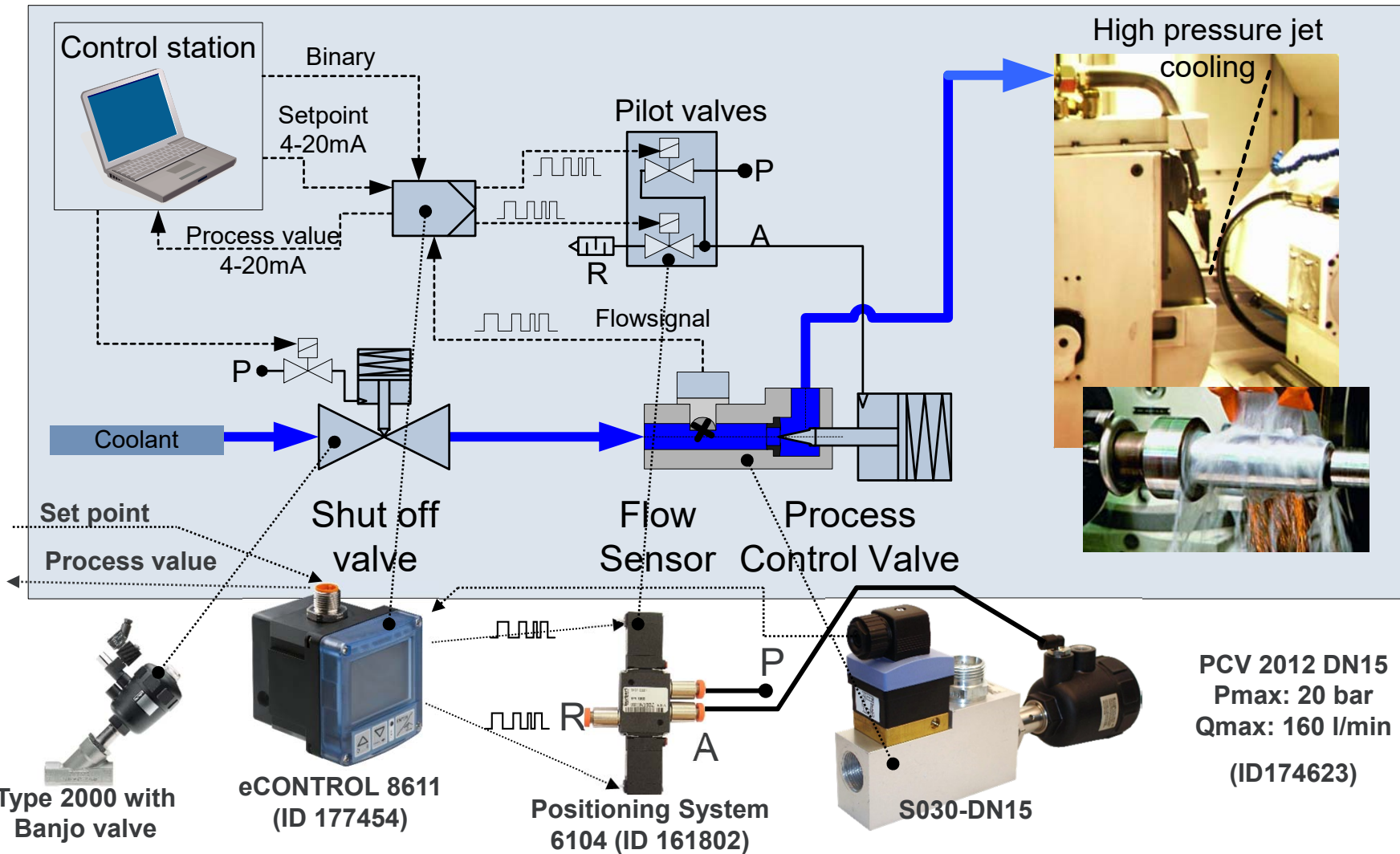
**6104**  
Positioning System  
(ID 161802)

**2012**  
Process  
Control Valve

**8417**  
RTD Sensor

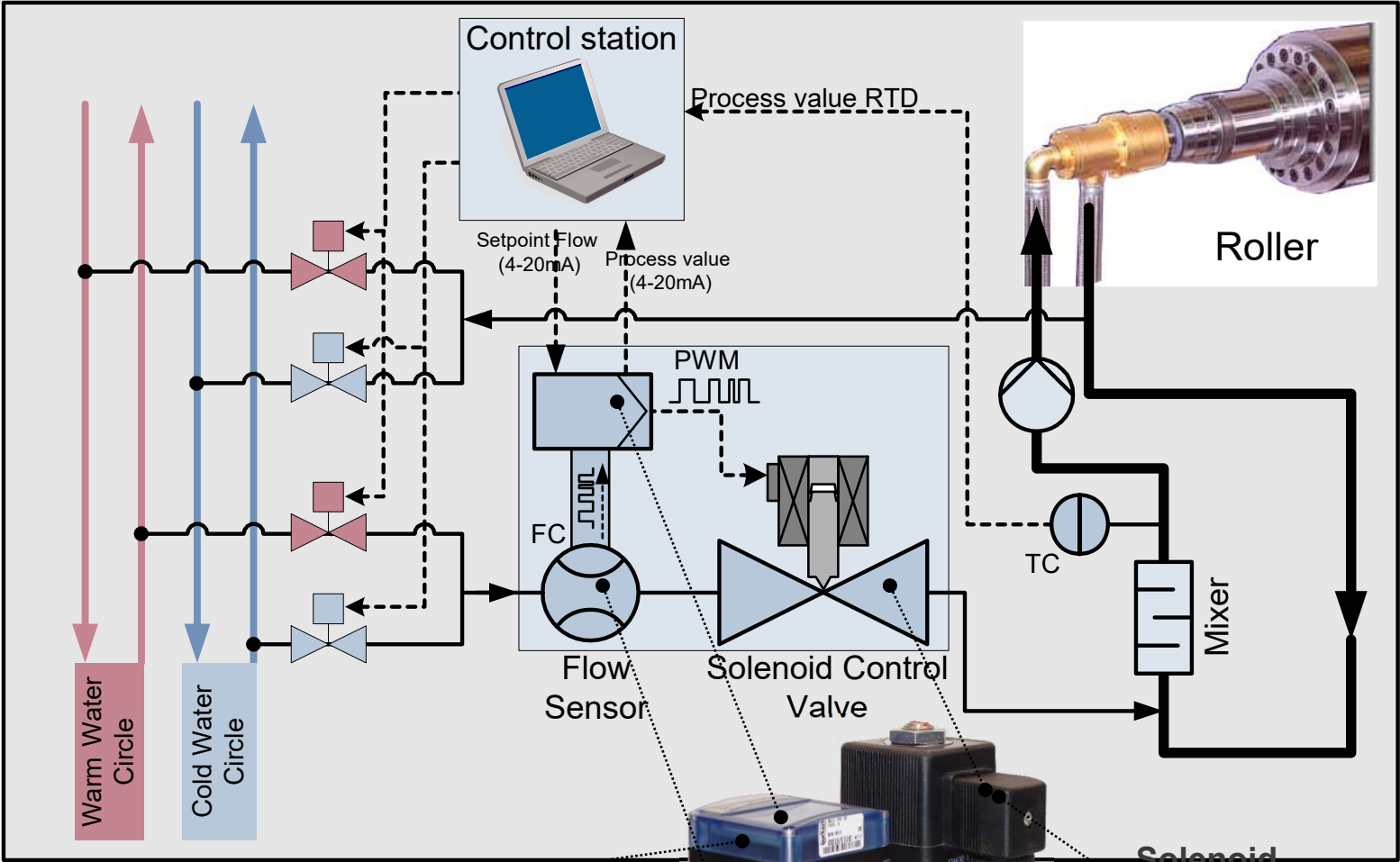
# Cooling of Grinding Process

## Flow Control with Process Control Valve



# Tempering of Printing Rolls

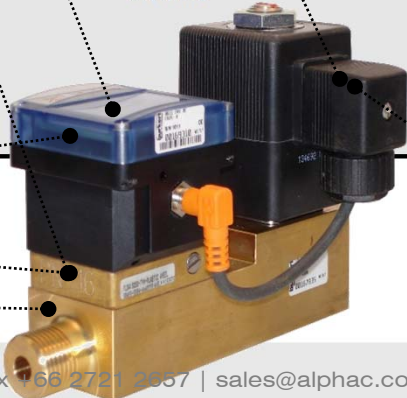
## Cascaded Temperature Control with Flow Input



eControl 8611 (ID 177455)

Sensor holder (ID 448677)

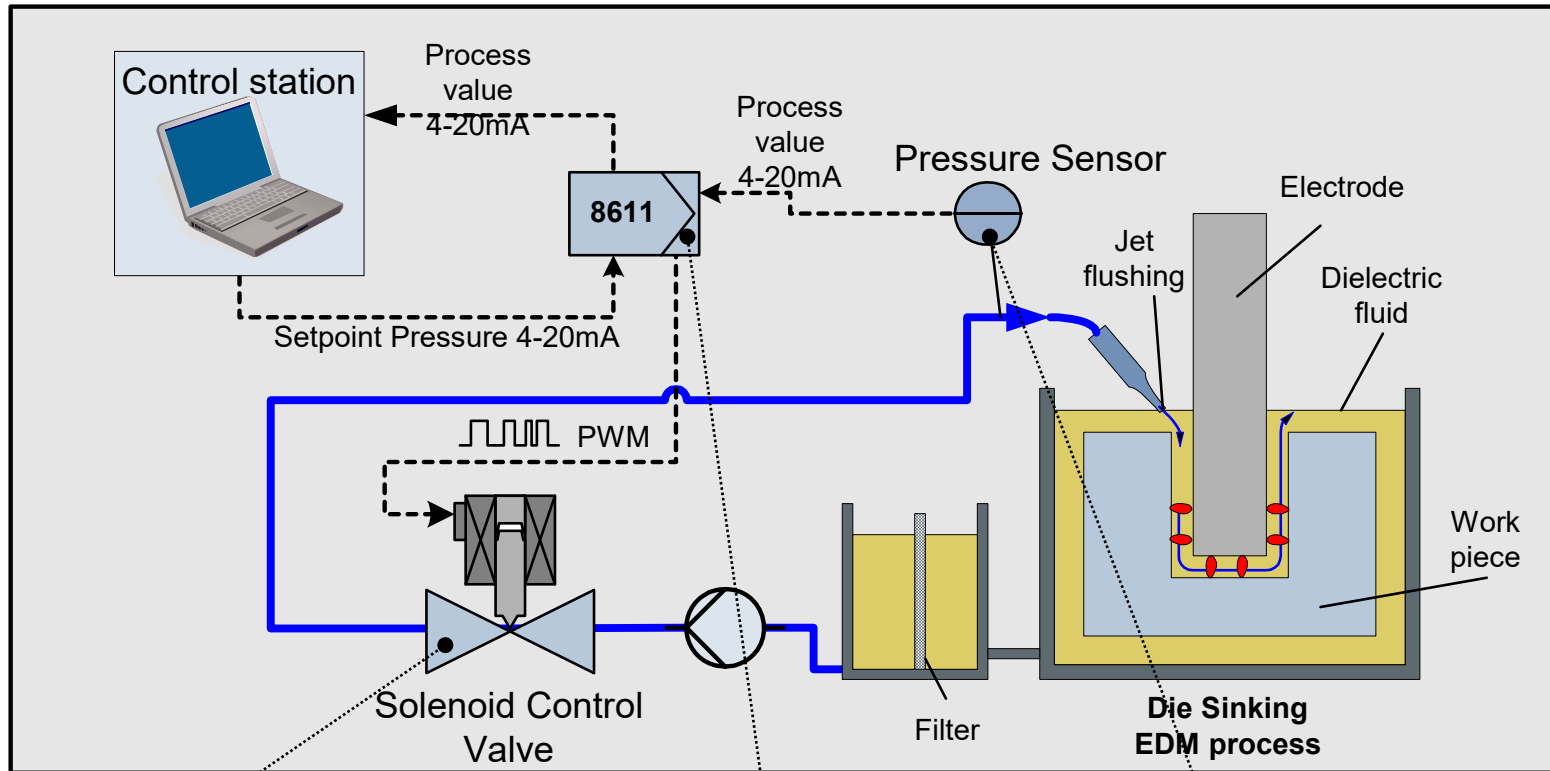
Customized block



Solenoid Control Valve

# Flushing of EDM Process

## Flowing Pressure Control



**SCV 2834**  
 $p_{max}$  25 bar  
(362 PSI)



**eCONTROL**  
**8611**  
ID 177460

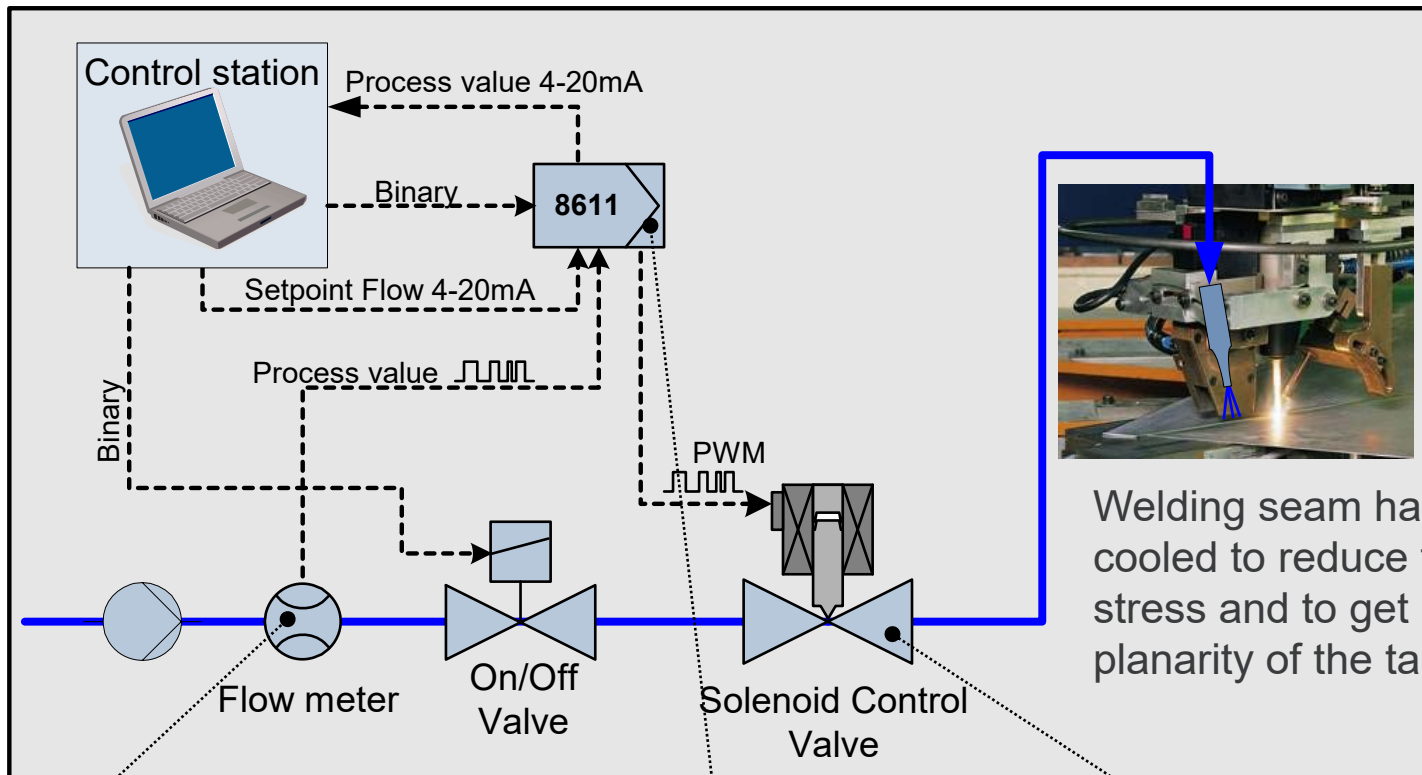


**Pressure 8314**  
ID 552955 or  
550367



# Blank Cooling in LASER-Welding

## Flow Control



MAG Flow meter  
8055 – DN 3mm  
Blind version



eCONTROL  
8611  
ID 177091



SCV 2834  
 $p_{max}$  25 bar  
(362 PSI)